

## Instruction Sheet AquaMotionHot One AMH3K-7 Point of Use Hot Water Recirculation System (For Tank Systems)

**THANK YOU for purchasing a new Aquamotion Hot System!**  
For optimum reliability and performance please follow the installation instructions outlined below.

**NOTE:** Please note that this is not an anti-scald unit. There may be some warm water in the cold water line under the sink where the circulator is installed. Once the cold water line is opened, the warm water will disappear in a short time. (Longer hot water lines may result in longer time for hot water to reach the sink.)

### APPLICATION

The AquaMotionHot One circulators are designed to deliver hot water instantly at the point of use (under sink). Water savings can be as great as 12,000 – 15,000 gallons per year with 4-5 taps in a home. The AMH3K-7 circulator together with the AquaMotion “On Call™” accessories are designed to be user friendly, reliable and to produce a professional installation.

**WARNING:** Risk of electric shock. The AMH3K-7 kits are supplied with a grounding conductor and grounding type attachment plug. To reduce the risk of electric shock, be certain that it is connected only to a properly grounding type receptacle.

**WARNING:** When installing The AMH3K-7 observe all applicable electrical and plumbing codes.

**WARNING:** To avoid electrical shock, disconnect power prior to connecting or disconnecting The AMH3K-7.

**WARNING:** Risk of electric shock. The AMH3K-7 has not been investigated for use in swimming pool or marine areas.

**WARNING:** The AMH3K-7 is acceptable for indoor use only. Employer uniquement a l'interieur.

**CAUTION:** The AMH3K-7 has been evaluated for use with water only. The suitability of The AMH3K-7 for use with liquids other than water is the responsibility of the end user.

**CAUTION:** When making electric connections, do not apply excessive external loads to the junction box.

### SYSTEM REQUIREMENTS

Minimum water pressure 20 psi, Maximum water pressure 125 psi, Maximum water temperature 176F (80 C)

### SHIPMENT INSPECTION

Examine all components carefully to ensure they are all present and they have not been damaged in transit to you. Care should be taken to avoid dropping or mishandling the AMH3K-7. Damage to the AMH3K-7 may occur if it is dropped.

### KIT CONTENTS

The AMH3K-7 “Hot One” package includes:

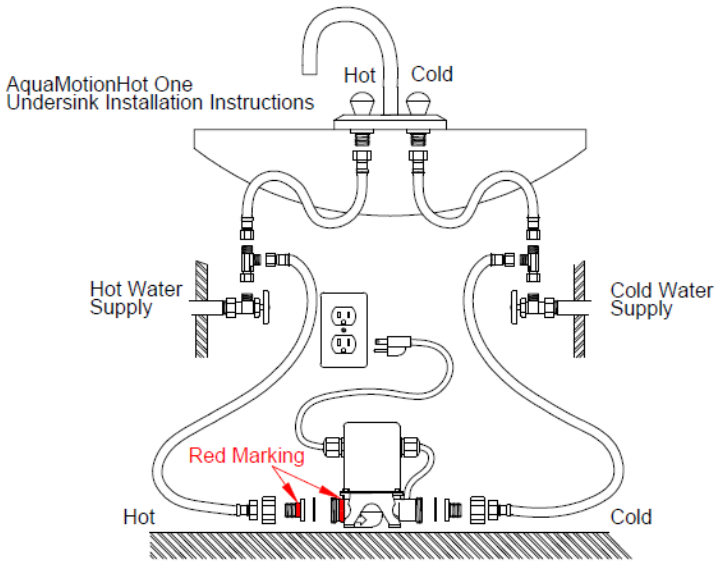
- (1) Pump, model AM7-SU1LAM complete with mounting bracket, pre-wired 10 foot flexible cord, and built-in Aquastat
- (1) Union tail piece without red marking.
- (1) Union tail piece with red marking.
- (2) Union nuts.
- (2) Union gaskets.
- (2) Flex hoses 1/2" NPS x 1/2" NPS 24 inches long.
- (2) Tee, 3/8" compression x 1/2" NPS x 3/8" compression.

### REQUIRED TOOLS

- (2) - Pipe wrenches which open to at least 1 1/2"
- (1) - Adjustable wrench which opens to at least 1"
- (1) - Timer

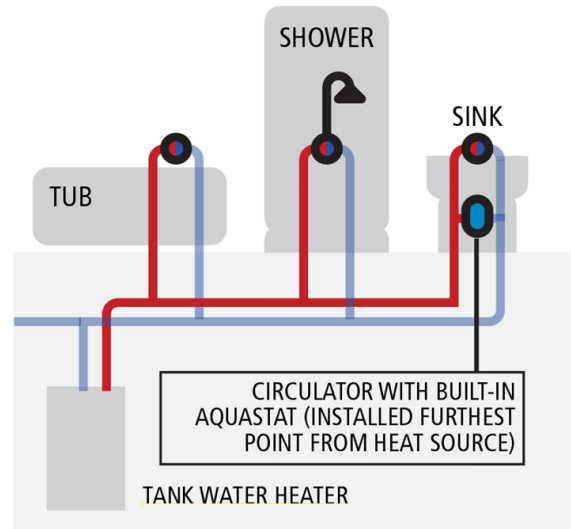
### INSTRUCTIONS for AMH3K-7 (see Fig. 1)

1. Locate the hot and cold shut off valves (angle stops) typically located near the faucet(s) under the counter.
2. Close both shut off valves and disconnect the flexible hoses attached to each valve by turning the nut at the end of the hoses counter-clockwise.
3. Install one Tee at each valve. Connect the female port of the Tee to the port on the valves from which you have just disconnected the hoses.
4. Connect the hoses which you had disconnected from the valves to the top port of the Tee. **MAKE SURE YOU CONNECT THE HOSES TO THE SAME VALVE TO WHICH THEY HAD ORIGINALLY BEEN CONNECTED.**
5. Attach the unions (gaskets, nuts and tail pieces) to the pump casing. The gaskets must be located between pump casing and tail piece. **MAKE SURE THE TAIL PIECE MARKED RED IS MATCHED UP WITH THE RED MARKING ON THE INLET SIDE (THAT IS OPPOSITE DIRECTION OF ARROW) OF THE PUMP.** You will need two pipe wrenches that open to at least 1 1/2" inches. Firmly tighten the two union nuts to avoid leaks. Do not install the pump upside down.
6. Place the pump into its intended location with the bracket on the floor and fasten with screws if necessary. It is also possible to install the pump horizontally but make sure that the wall to which it is fastened is sturdy enough to support the pump **NOTE: Be sure the arrows on the pump point to the cold water side.**
7. Install the flex hoses by attaching one end to the remaining port of the Tee and the other end to the pump. **MAKE SURE THE HOSE ATTACHED TO THE HOT VALVE IS CONNECTED TO THE INLET SIDE (THAT IS THE OPPOSITE DIRECTION OF THE ARROW) OF THE PUMP. MAKE SURE THE HOSE ATTACHED TO THE COLD VALVE IS CONNECTED TO THE DISCHARGE SIDE (THAT IS THE SIDE THE ARROW IS POINTING TO) OF THE PUMP.**
8. Open the valves. Check for leaks.
9. Plug in the cord to any convenient grounded, 115 volt outlet.
10. The system will settle in 2 to 3 hours. Opening faucets will help release the air



**Warning: Red mark on fitting must be attached to the side of the pump with the red mark!**

**(Figure 1)**  
**AquaMotionHot One AMH3K-7**  
**(Under Sink Installation Instructions)**



**AquaMotionHot One AMH3K-7**



**AquaMotionHot One AMH3K-7**  
**Installation Picture**