

## Instruction Sheet

### AquaMotionHot Two AMH2K-7

#### For Tank Systems With Dedicated Return Line

#### APPLICATION

The AquaMotionHot Two circulators are designed to deliver hot water instantly at all points of use between the hot water tank and the dedicated return line. Water savings can be as great as 12,000 – 15,000 gallons per year with 4-5 taps in a home. The AquaMotionHot Two circulator together with the Aquamotion “On Call™” accessories are designed to be user friendly, reliable and to produce a professional installation.

**WARNING:** Risk of electric shock. Circulator model AM7-SUV1L is supplied with a grounding conductor and grounding-type attachment plug. To reduce the risk of electric shock, be certain that it is connected only to a properly grounded, grounding type receptacle.

**WARNING:** When installing circulator observe all applicable electrical and plumbing codes.

**WARNING:** To avoid electrical shock, disconnect power prior to connecting or disconnecting circulator.

**WARNING:** Risk of electric shock. This circulator has not been investigated for use in swimming pool or marine areas.

**WARNING:** This circulator is acceptable for indoor use only. Employer uniquement a l'interieur.

**CAUTION:** This circulator has been evaluated for use with water only. The suitability of this circulator for use with liquids other than water is the responsibility of the end user.

#### SYSTEM REQUIREMENTS

Minimum water pressure 20 psi  
Maximum water pressure 125 psi  
Maximum water temperature 230F (110C)

#### SHIPMENT INSPECTION

Examine all components carefully to ensure they are all present and they have not been damaged in transit to you. Care should be taken to avoid dropping or mishandling the circulator. Damage to the circulator may occur if it is dropped.

#### KIT CONTENTS

The “AquaMotionHot Two” packages include:

- (1) Pump model AM7-SUV1L, complete pre-wired 10 foot flexible cord
- (1 ea.) ½” & ¾” PEX Union Tail Piece
- (1 ea.) ½” & ¾” Sweat Union Tail Piece
- (1) ¾” NPT male Union Tail Piece
- (2) Union Nuts
- (2) Union Gaskets
- (1) ½” & ¾” Aquastat with 8 Foot Cord

#### REQUIRED TOOLS

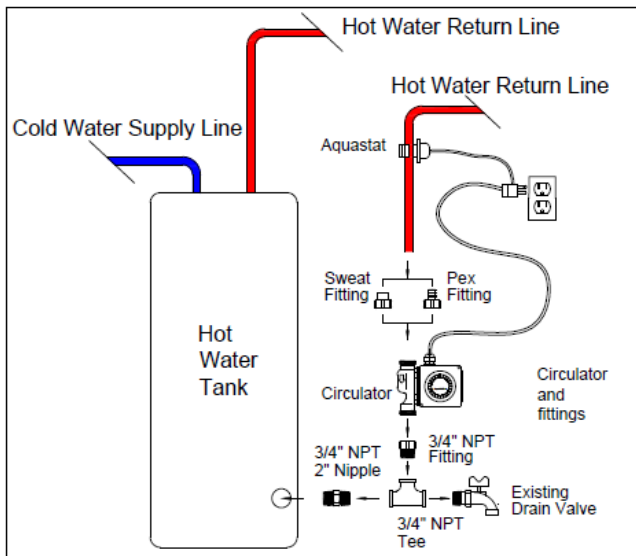
- 2 - Pipe wrenches which open to at least 1 ½”
- 1 - Adjustable wrench which opens to at least 1 ½”

#### INSTALLATION INSTRUCTIONS

1. Turn off the power to your hot water tank at the circuit breaker.
2. Close the valve on the cold water supply line to the hot water tank. If you do not have a valve on the cold water supply line close the main water valve to the house.
3. Attach a hose to the drain valve on the hot water tank and run the hose to a drain or into a bucket.
4. Open the drain valve and allow the system to drain down. Note: Opening the faucet at a sink may speed the draining process.
5. After the system has drained down remove the drain valve from the hot water tank.
6. Install the nipple and tee supplied in the AquaMotionHot Two fitting kit into or onto the pipe or fitting you removed the drain valve from. Apply pipe dope or Teflon tape to the male threads prior to installing the nipple and tee.
7. Tighten the tee so the middle opening of the tee is facing the dedicated return line.
8. Stick the ¾” NPT male tail piece supplied with fitting kit through one of the union nuts and thread it into the tee opening that is facing the return line using a 5/8” allen wrench. Apply pipe dope or Teflon tape to the male threads prior to installing the tail piece into the tee.
9. Allow a 5-inch space for the circulator installed between the fittings and install either PEX or sweat fitting depending on the return line tubing through the remaining union nut. Attach the tail piece to the return line.
10. Place one of the gaskets supplied in the kit between the circulator discharge and the threaded fitting which is now attached to the tee and thread the nut to the circulator. Note: The discharge end of the circulator is the end the arrows on the stainless casting point at. Place the other gasket between the fitting on the return line and the circulator inlet. Tighten both nuts.
11. Open the valve in the cold water supply line to the hot water tank. Check for leaks at the fittings. If a leak occurs retighten or refit the joint. Note: To allow trapped air to escape open a hot water faucet and allow the water to run until it is clear of bubbles.
12. Turn power on for the hot water tank at the circuit breaker
13. Your kit contains a circulator with a built in timer. Follow the step by step directions on the timer instruction sheet to program the timer to meet your hot water needs.

14. Plug the Aquastat Piggyback into the nearest 3 prong wall outlet.
15. Plug the circulator into the Piggyback Aquastat and clip the Aquastat to the dedicated return line tubing. Note; the Aquastat power cord is 8 feet long. To minimize the runtime of the circulator the Aquastat should be clipped to the return line as far away from the circulator as the cord will allow.
16. Plug the circulator into the back side of the Aquastat piggyback plug Note: Initially the circulator will run continuously until the hot water tank has re-heated the water unless the timer is set to an off cycle.

**Circulators are of stainless construction**  
**All Fittings are lead free**



**Installation Diagram AquaMotionHot Two**

