

<b>Submittal Data Sheet SD114</b>	<b>EFFECTIVE 4/1/18</b>
---	-----------------------------

SUBMITTAL DATA APPROVAL	
For:	_____
Job:	_____
Date Submitted:	_____ By: _____
Date Approved:	_____ By: _____
Model Number:	_____ Quantity: _____
Model Number:	_____ Quantity: _____
Model Number:	_____ Quantity: _____
Model Number:	_____ Quantity: _____

US DESIGN • US BUILT



## AMR Stainless Circulators

For hydronic heating & cooling systems

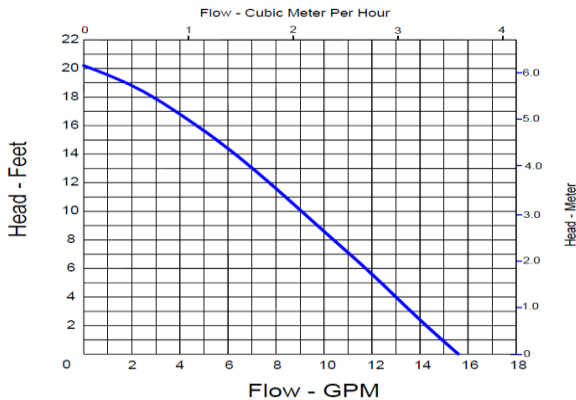
### Materials of Construction

- Shaft, Radial Bearings.....Aluminum Oxide Ceramic
- Pump housing (volute).....300 Series Stainless Steel
- Seal, Gaskets.....EP(Ethylene Propylene Rubber)
- Impeller.....Composite
- Cartridge Sleeve, Bearing Support,
- Rotor Sleeve & Cover, Wear Ring.....Stainless Steel
- Motor Housing.....Steel

### Electrical Data

Model	Volts	Amps	Flanges	Cord
AMR-SFL	120	.79	4 bolt	3- Wire Grounded
AMR-SFVL	120	.79	4 bolt	3- Wire Grounded

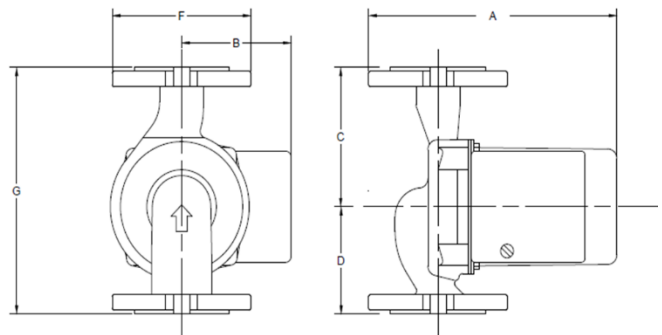
The AquaMotion AMR Stainless circulators are the perfect choice for hot water recirculation applications. They combine corrosion resistant construction, high performance and ease of installation. These circulators come with 4 bolt flanges that are mounted either vertically or horizontally. Circulators come with 10 Ft 3-wire grounded cords. Models with a "V" come with built-in check valves.



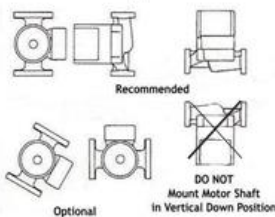
### Specifications

- Maximum Shut-off Head: 20 Feet
- Maximum Flow: 16 GPM
- Maximum Operating Pressure: 145 psi (10 bar)
- Maximum Water Temp: 230°F (110°C)
- Minimum Water Temp: 40°F (5°C)
- Weight 8.5 lbs. (3.9Kg)

A	6 1/4"
B	3"
C	3 1/2"
D	2 3/4"
F	3 7/8"
G	6 1/4"



### Mounting Positions



For Indoor Use Only