



**Front/Back AMK-UK Universal™**



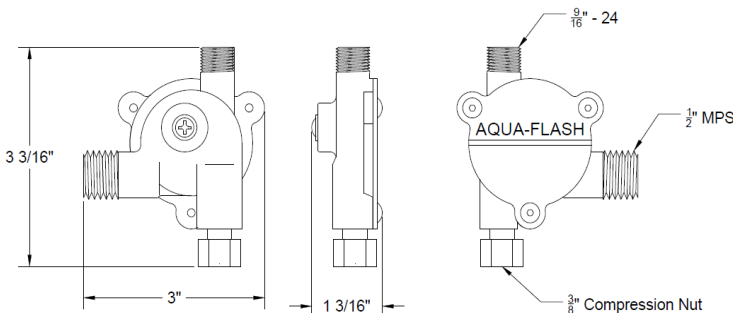
**Front/Back AMK-FK**

**AMK-UK & AMK-FK  
Aqua-Flash® Recirculation Valve Kit  
(Patented & Patent Pending)**

**Materials of Construction**

- Valve Body.....Lead free brass
- Valve Cover.....Stainless Steel
- Active Element .....Copper
- Tee Body ..... Lead free brass
- Check Valve.....Composite
- Stainless Steel Hose

**Dimensions**



**AMK-UK Universal™ installs on the COLD angle stop  
AMK-FK installs on the HOT angle stop**

<b>Submittal Data Sheet SD115</b>	<b>EFFECTIVE 12/2/19</b>
---	------------------------------

SUBMITTAL DATA APPROVAL	
For: _____	_____
Job: _____	_____
Date Submitted: _____	By: _____
Date Approved: _____	By: _____
Model Number: _____	Quantity: _____
Model Number: _____	Quantity: _____
Model Number: _____	Quantity: _____
Model Number: _____	Quantity: _____

US DESIGN • US Built

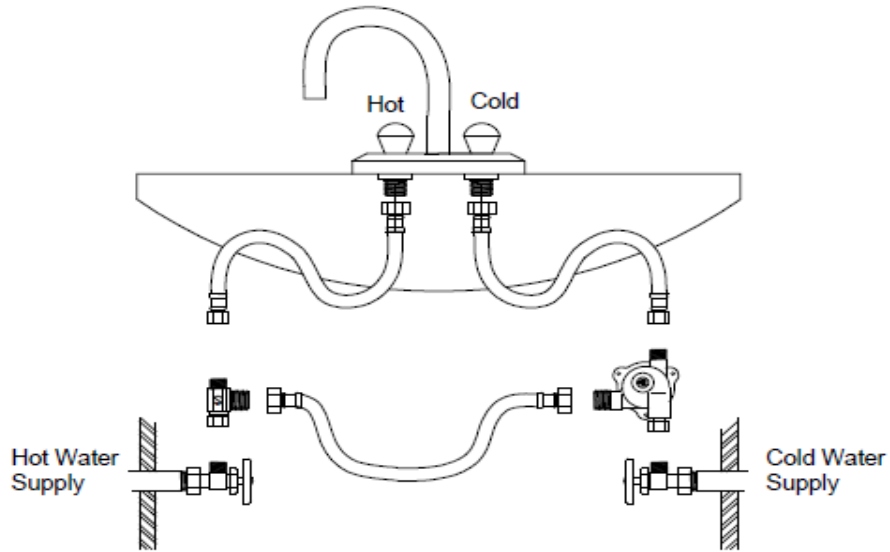
The AquaMotion Aqua-Flash® Valve and AMK-UK Universal™ are small, quiet, lead free brass valve with a stainless cover. It installs at the fixture furthest from the hot water heater. It acts in conjunction with a circulator to supply instant hot water to the fixture. The Flash Valve mounts below the fixture between hot and cold supply lines. As the circulator moves warm water to the valve under the fixture the valve begins to close. When the preset desired temperature is reached (90 F) the valve sets in that position. A trickle of hot water continues to pass through the valve to maintain the temperature. The water that passes through the valve is returned to the hot water heater through the cold water supply line. When the hot faucet at the fixture is opened, hotter water (over 90F) reaches the Aqua-Flash® Valve and it closes completely. When the hot faucet is closed, the water at the Aqua-Flash® Valve begins to cool and the valve begins to open until it resets at 90 F.

Since the cold water supply line is used as the return for the hot water that passes through the Aqua-Flash® Valve, some cooling hot water will be present in the cold water supply. When the cold faucet is fully opened, it will take 2-10 seconds to clear the cooling hot water from the cold supply line.

**Specifications**

- Fully closed at 105°F
- Fully open at 90°F
- Begins to open at 100°F
- Max Pressure- 150 psi
- Max temp 150°F
- Min temp. 35°F

**Aqua-Flash® Valve INSTALLATION AMK-UK Universal™**



**Aqua-Flash® Valve INSTALLATION AMK-FK**

