



**AquaMotionSmart™ Newton Series™
ECM Circulator**

**Wet-rotor,
maintenance free,
fixed and variable
Speed ECM
Circulators**
AM99-FL
AM99-FVL

Submittal Data Sheet SD104	EFFECTIVE 1/13/16
---	------------------------------

SUBMITTAL DATA APPROVAL

For: _____
 Job: _____
 Date Submitted: _____ By: _____
 Date Approved: _____ By: _____
 Model Number: _____ Quantity: _____
 Model Number: _____ Quantity: _____
 Model Number: _____ Quantity: _____
 Model Number: _____ Quantity: _____

 **US DESIGN • US BUILT**

Materials of Construction

- Shaft, Radial Bearings.....Aluminum Oxide Ceramic
- Motor housingAluminum
- Impeller.....Composite
- Pump housing (closed systems).....Cast Iron
- Wear ring, bearing support
cartridge sleeve, rotor sleeve.....Stainless Steel
- Gaskets.....Ethylene Propylene Rubber

Electrical Data

Model	Volts	Watts	Amps	Flanges
AM99-FL	230	5-127	.02-.55	2 bolt
AM99-FVL	230	5-127	.02-.55	2 bolt

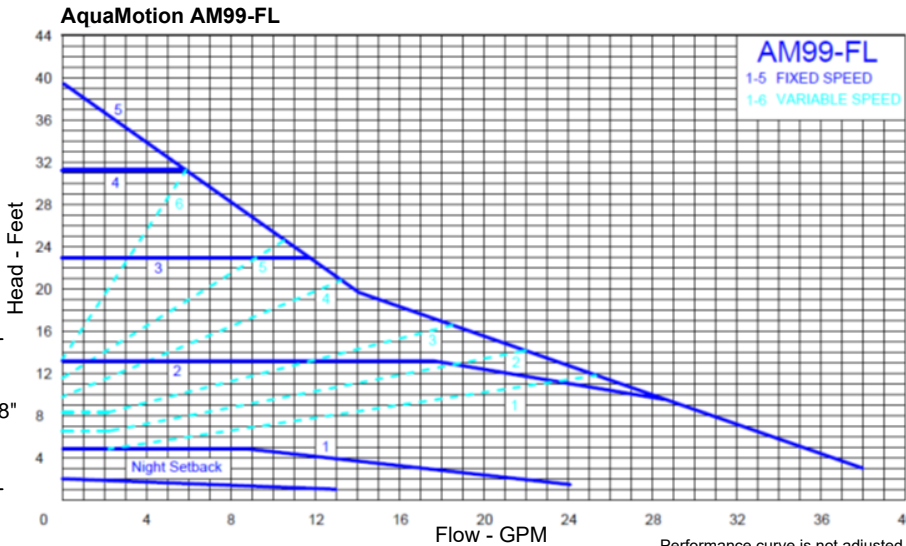
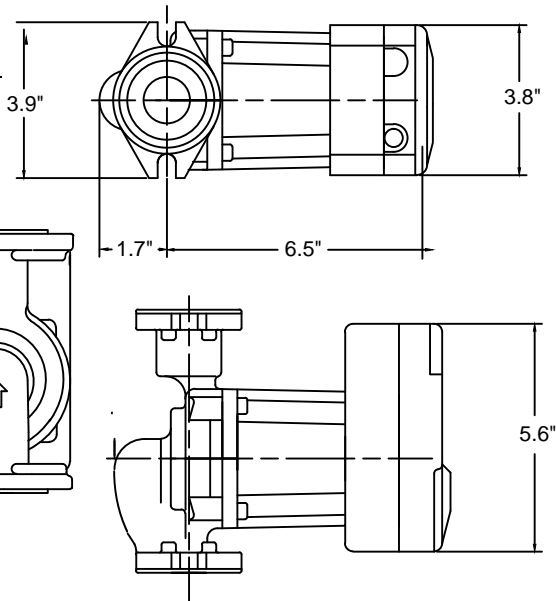
Performance Data

Model	Head Range	Flow Range
AM99-FL	0-40FT	0-42GPM
AM99-FVL	0-40FT	0-42GPM

Specifications

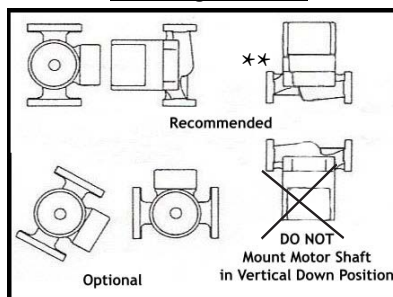
- Maximum Shut-off Head: 40 feet
- Maximum Flow: 42 gpm
- Maximum Operating Pressure: 145 psi (10 bar)
- Maximum Water Temp: 230°F (110°C)
- Minimum Water Temp: 40°F (5°C)
- Electrical specifications:
 - Voltage: 230V, 60 Hz Single phase
 - AMP Rating: 0.02 - 0.55A
 - Operating Power: 5W - 127W

**AM99
Dimensions**



Performance curve is not adjusted for AM99-FVL (with check valve)

Mounting Positions



**When the circulator is mounted in this position the system pressure must be 12 psi or more.

Ship Wt.	
Lbs.	Kg
7.5	3.4

For Indoor Use Only